

DATA SHEET

TEA1085; TEA1085A

Listening-in circuit for line-powered
telephone sets

Preliminary specification
File under Integrated Circuits, IC03A

March 1992

Listening-in circuit for line-powered telephone sets

TEA1085; TEA1085A

FEATURES

- Internal supply
 - optimum current split-up
 - low constant current (adjustable) in transmission IC
 - nearly all line current available for listening-in adjustable supply voltage
- Loudspeaker amplifier
 - dynamic limiter providing low distortion and the highest possible output power
 - SE or BTL drive for loudspeaker volume control by potentiometer and/or logic inputs (e.g. microcontroller drive)
 - fixed gain of 35 dB
- Larsen level limiter
 - low sensitivity for own speech due to 3rd-order filter and attack delay
 - adjustable voltage thresholds
- Power down input
- MUTE input
 - TEA1085/TEA1085A
 - clickfree switching between listening-in mode and standby mode
 - TEA1085
 - toggle function
 - start-up in standby condition
 - TEA1085A
 - logic level input

GENERAL DESCRIPTION

The TEA1085 and TEA1085A are bipolar ICs which have been designed for use in line-powered telephone sets and provide a listening-in facility for the received line signal via a loudspeaker. Nearly all the line current can be used for powering the loudspeaker.

The circuits incorporate a supply circuit, loudspeaker amplifier dynamic limiter, MUTE circuit, power-down facility and logic inputs for gain setting. The devices also incorporate a Larsen Level Limiter to reduce howling effects.

The ICs are intended for use in conjunction with a transmission circuit of the TEA1060 family.

ORDERING INFORMATION

EXTENDED TYPE NUMBER	PACKAGE			
	PINS	PIN POSITION	MATERIAL	CODE
TEA1085/TEA1085A	24	DIL	plastic	SOT101B ⁽¹⁾
TEA1085T/TEA1085AT	24	SO24	plastic	SOT137A ⁽²⁾

Notes

1. SOT101-1; 1998 Jun 18.
2. SOT137-1; 1998 Jun 18.

Listening-in circuit for line-powered telephone sets

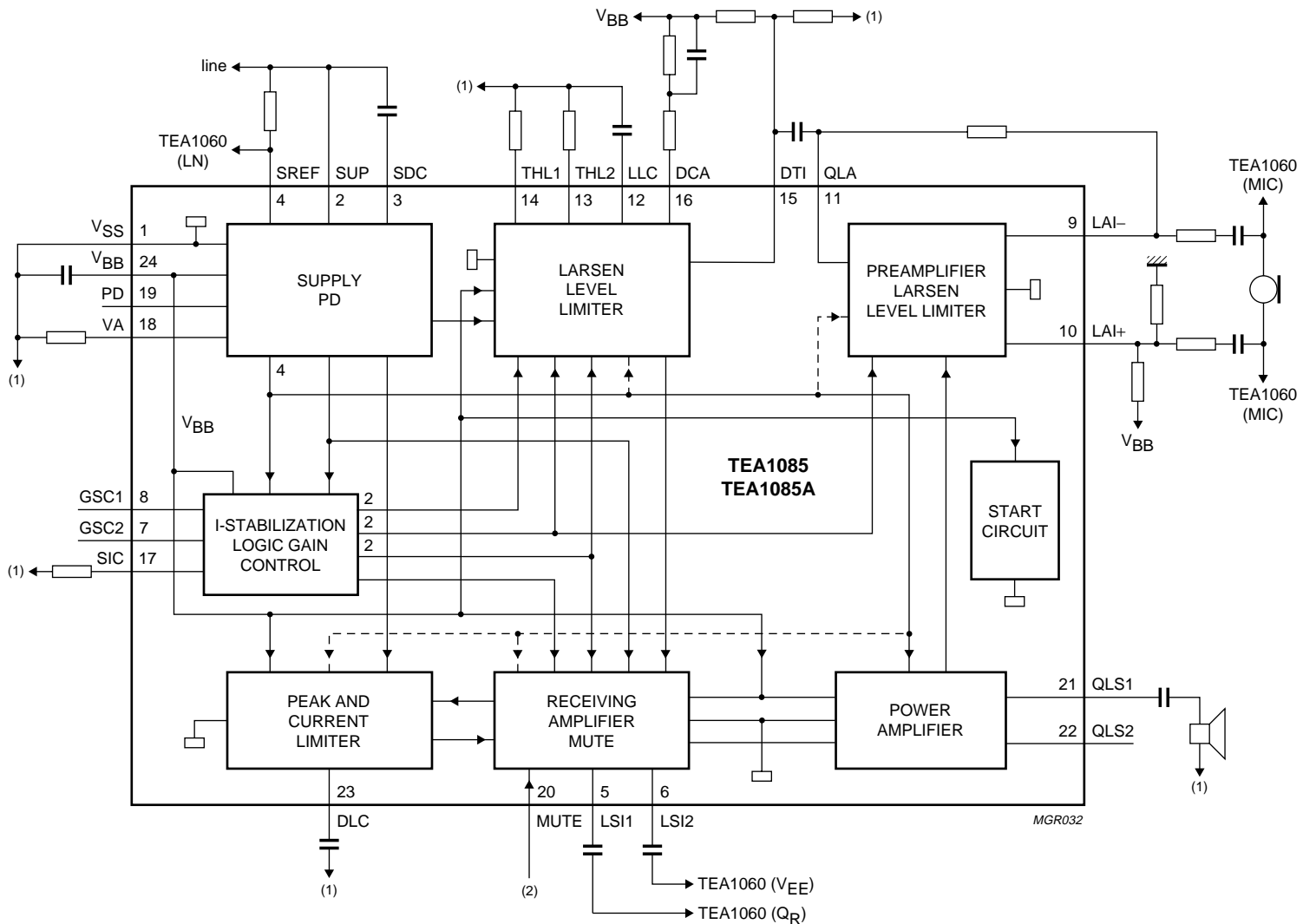
TEA1085; TEA1085A

QUICK REFERENCE DATA

SYMBOL	PARAMETER	CONDITIONS	MIN.	TYP.	MAX.	UNIT
I_{SUP}	input current range		4	–	120	mA
V_{BB}	stabilized supply voltage		–	3.6	–	V
I_{SUP}	current consumption	PD = HIGH	–	55	–	μ A
G_v	voltage gain loudspeaker amplifier	SE	–	35	–	dB
		BTL	–	41	–	dB
ΔG_v	maximum gain reduction with logic inputs (3 steps)		–	18	–	dB
I_{SUP}	minimum input current	$P_{OUT} = 20$ mW typ. into 50Ω SE	–	15	17	mA
		$P_{OUT} = 40$ mW typ. into 50Ω BTL	–	–	32	mA
$t_{ad(RMS)}$	Larsen limiter attack delay time V_{DTI} jumps from 0 to ≥ 100 mV (RMS value)		100	–	200	ms
$V_{DTI(RMS)}$	Larsen limiter threshold level	Larsen mode	–	7	–	mV
G_v	Larsen limiter preamplifier gain setting range		30	–	52	dB
T_{amb}	operating ambient temperature range		–25	–	+75	$^{\circ}$ C

Listening-in circuit for line-powered telephone sets

TEA1085; TEA1085A



(1) To TEA1060 (SLPE).
 (2) See Fig.16.

Fig.1 Block diagram.

Listening-in circuit for line-powered telephone sets

TEA1085; TEA1085A

PIN CONFIGURATION

SYMBOL	PIN	DESCRIPTION
V _{SS}	1	negative supply
SUP	2	positive supply
SDC	3	supply amplifier decoupling
SREF	4	supply reference input
LSI1	5	loudspeaker amplifier input 1
LSI2	6	loudspeaker amplifier input 2
GSC2	7	logic input 2 for gain select
GSC1	8	logic input 1 for gain select
LAI-	9	Larsen limiter preamplifier inverting input
LAI+	10	Larsen limiter preamplifier non-inverting input
QLA	11	Larsen limiter preamplifier output
LLC	12	Larsen limiter capacitor
THL2	13	Larsen limiter residual threshold level
THL1	14	Larsen limiter attack delay threshold level
DTI	15	Larsen limiter detector input
DCA	16	Larsen limiter detector current adjustment
SIC	17	Larsen limiter current stabilizer
VA	18	V _{BB} voltage adjustment
PD	19	power-down input
MUTE	20	MUTE input
QLS1	21	loudspeaker amplifier output 1
QLS2	22	loudspeaker amplifier output 2
DLC	23	dynamic limiter capacitor
V _{BB}	24	stabilized supply decoupling

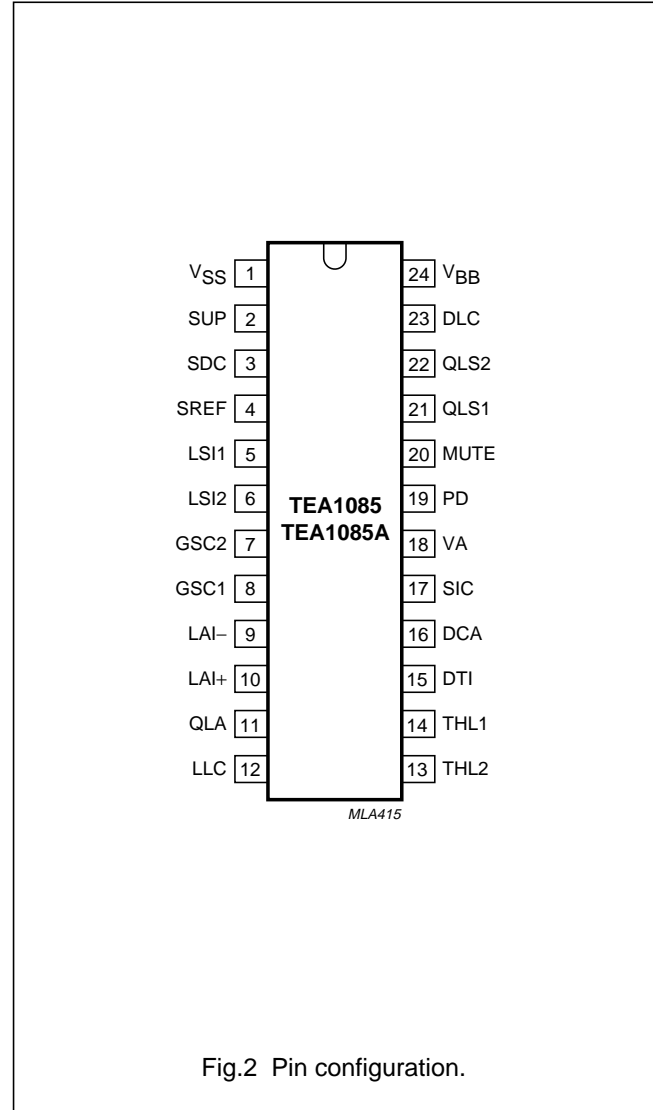


Fig.2 Pin configuration.

Listening-in circuit for line-powered telephone sets

TEA1085; TEA1085A

FUNCTIONAL DESCRIPTION

Figure 1 illustrates a block diagram of the TEA1085/TEA1085A with external components and connections to the transmission IC.

The TEA1085/TEA1085A are bipolar ICs which have been designed for use in line-powered telephone sets and provide a listening-in facility for the received line signal via a loudspeaker. Nearly all the line current can be used for powering the loudspeaker.

The loudspeaker amplifier consists of a preamplifier, to amplify the earpiece signal from the transmission circuit and, a double push-pull output stage to drive the loudspeaker in the BTL (bridge tied load) or SE (single ended) configuration. The gain of the preamplifier is controlled by a dynamic limiter which prevents high distortion of the loudspeaker signal. This is achieved by preventing clipping of the loudspeaker signal, with respect to the supply voltage, and at too low supply current. Two logic inputs can be used to reduce the gain in 3 steps. Because of acoustic feedback from the loudspeaker to the microphone, howling signals (Larsen effect) can occur on the telephone line and in the loudspeaker. When the Larsen signal exceeds a voltage and time duration threshold the Larsen level limiter (LLL) will reduce the

Larsen signal to a low level within a short period of time by reducing the gain of the receiving preamplifier. This is achieved by using the microphone signal as an input signal which is processed in the LLL via a preamplifier and 3rd-order filter.

The MUTE input can be used to enable or disable the loudspeaker amplifier.

The MUTE function of the TEA1085 has a toggle input to permit the use of a simple push-button switch.

The MUTE function of the TEA1085A has a logic input to operate with a microcontroller.

By activating the power-down input the current consumption of the circuit will be reduced, this enables pulse dialling or flash (register recall).

An internal start circuit ensures normal start-up of the transmission IC and start-up of the listening-in IC in the standby mode.

The TEA1085/TEA1085A are intended for use in conjunction with a member of the TEA1060 family and should be connected between LINE and SLPE of the transmission IC. The transmission characteristics (impedance, gain settings, for example) are not affected. The interconnection between the two ICs is illustrated in Fig.3.

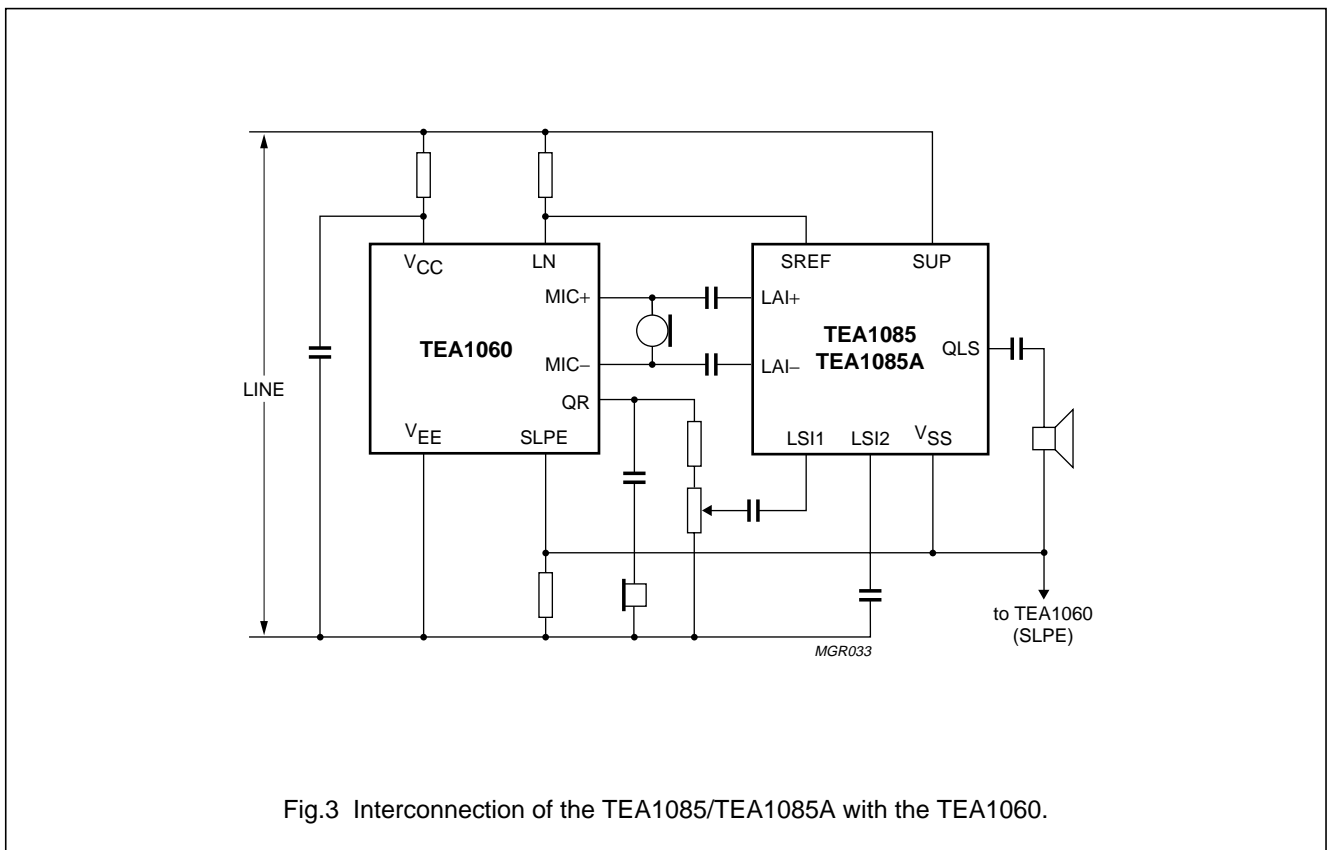


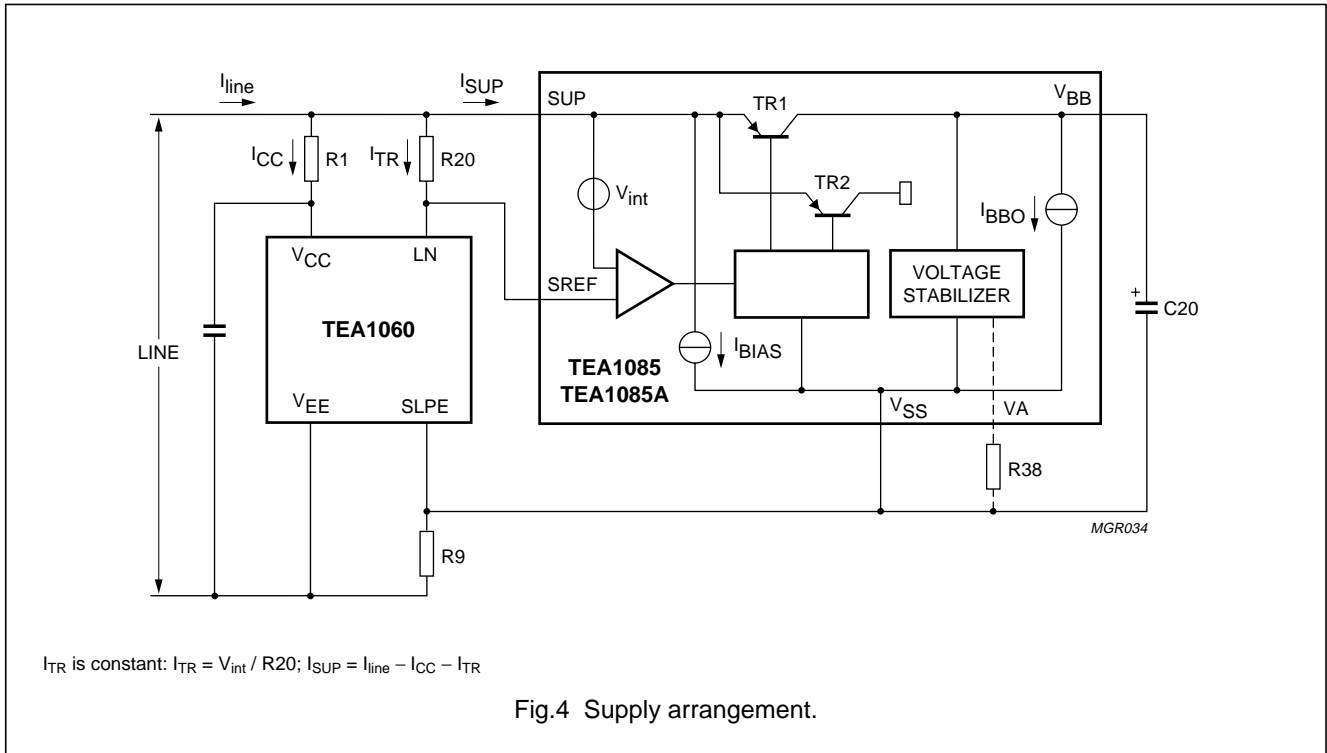
Fig.3 Interconnection of the TEA1085/TEA1085A with the TEA1060.

Listening-in circuit for line-powered telephone sets

TEA1085; TEA1085A

Supply; SUP, SREF, V_{BB}, V_{SS} and V_A

The line current is divided into I_{TR} for the TEA1060 and I_{SUP} for the TEA1085/TEA1085A. The supply arrangement is illustrated in Fig.4.



Where:

- V_{int} is an internal temperature compensated reference voltage with a typical value of 315 mV between SUP and SREF
- R20 is a resistor between SUP and SREF
- I_{CC} is the internal current consumption of the TEA106X (≈ 1 mA)

A practical value for R20 is 150 Ω. This value of resistance produces a value for I_{TR} = 2 mA and I_{SUP} = I_{line} - 3 mA.

The TEA1085/TEA1085A stabilizes its own supply voltage at V_{BB}. Transistor TR1 provides the supplies for the internal circuits. TR2 is used to minimize the signal distortion on the line by momentarily diverting the input current to V_{SS} whenever the instantaneous value of the voltage V_{SUP} drops below the supply voltage V_{BB}. V_{BB} is fixed to a typical value of 3.6 V but can be increased by means of an external resistor (R38) connected between

VA and V_{SS} or decreased by connecting this resistor between VA and V_{BB}. The minimum level on V_{BB} is restricted to 3.0 V; the level of the V_{BB} limiter is also affected (see application report for further information). The supply at V_{BB} is decoupled by a 470 μF capacitor.

The DC voltage (V_{SUP} - V_{SS}) is determined by the transmission IC (V_{LN-SLPE}); thus:
 $V_{SUP} - V_{SS} = V_{LN-SLPE} + V_{int}$.
 The minimum DC voltage that can be applied to this input is V_{BB(max)} + 0.4 V.

Where: V_{BB(max)} is the worst case supply voltage (this depends on the setting of R38, which is connected between VA and V_{SS}).

The internal current consumption of the TEA1085/TEA1085A (I_{SUP0}) is typically 4.2 mA (where V_{SUP} - V_{SS} = 4.5 V, MUTE off). Thus the current available for powering the loudspeaker is I_{SUP} - I_{SUP0}. The current I_{SUP0} consists of a bias current of ≈ 0.4 mA for the circuitry connected to SUP and current I_{BBO} of ≈ 3.8 mA which is used for the circuitry connected to V_{BB} (see Fig.4).

Listening-in circuit for line-powered telephone sets

TEA1085; TEA1085A

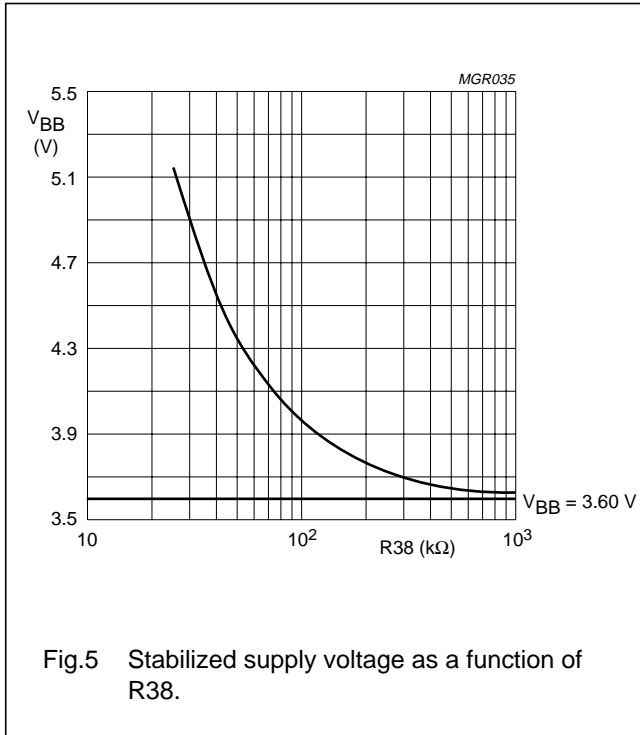


Fig.5 Stabilized supply voltage as a function of R38.

Logic gain control (GSC1 and GSC2) pins 7 and 8

The logic inputs GSC1 and GSC2 can be used to reduce the gain of the loudspeaker amplifier by means of the logic gain control function in 3 steps of 6 dB.

Table 1 Data for microcontroller drive of logic inputs

GSC2	GSC1	gain (dB)	gain reduction (dB)
0	0	35	0
0	1	28.7	6.3
1	0	22.2	12.2
1	1	17	18

Where:

- 0 = connection to V_{SS} or left open-circuit
- 1 = applying a voltage ≥ V_{SS} + 1.5 V

Supply amplifier stability (SDC) pin 3

To ensure stability of the TEA1085/TEA1085A, in combination with a transmission IC of the TEA1060 family, a 47 pF capacitor connected between SDC and SUP and a 150 μH coil connected between SUP and the positive line terminal (Fig.16) is required.

Loudspeaker amplifier (LSI1/LSI2 and QLS1/QLS2) pins 5/6, 21/22

The TEA1085/TEA1085A have symmetrical inputs at LSI1 and LSI2. The input signal is normally taken from the earpiece output of the transmission circuit via a resistive attenuator (see Fig.3). The amount of attenuation must be chosen in accordance with the receive gain of the transmission IC (which depends on the sensitivity of the earpiece transducer). The maximum input signal level is 450 mV(RMS) at T_{amb} = +25 °C.

The outputs QLS1 and QLS2 can be used for single ended drive (SE) or bridge tied load drive (BTL). The output stages have been optimized for use with a 50 Ω loudspeaker (e.g. Philips type AD2071).

The gain of the amplifier is fixed to ≈ 35 dB for the SE drive and ≈ 41 dB for the BTL drive (when the inputs for logic control are left open-circuit or are connected to V_{SS}).

The volume control can be obtained by using a potentiometer at the input and/or by the logic control function.

Listening-in circuit for line-powered telephone sets

TEA1085; TEA1085A

Dynamic limiter (DLC) pin 23

To prevent distortion of the signal at the loudspeaker outputs the gain of the amplifier is reduced rapidly when:

- the peaks of the signal at the loudspeaker outputs exceed an internally determined threshold (voltage limiter)
- the DC current into SUP is insufficient (current limiter)
- the voltage at V_{BB} decreases below an internally determined threshold, typically 2.9 V (V_{BB} limiter)

The time in which the gain reduction is effected is the 'attack time'; this is very short in the first and third instance and relatively long in the second instance. The circuit will remain in the gain-reduced condition until the peaks of the output signal remain below the threshold level. The gain will then return to a nominal level after a time determined by the capacitor connected to DLC (release time).

MUTE input (MUTE) pin 20; TEA1085A

This MUTE is provided with a logic input to operate with a microcontroller for instance.

The loudspeaker amplifier is disabled when the MUTE input is LOW (connected to V_{SS} or open input). A HIGH level at the MUTE input enables the amplifier in the listening-in mode.

MUTE input (MUTE) pin 20; TEA1085

The MUTE function is provided with a toggle input and is designed to switch between the standby condition and the listening-in condition on the rising edge of the input MUTE signal (see Fig.6).

In the basic application the MUTE input must be LOW (connected to V_{SS}). A simple push-button can be used to operate the MUTE toggle (see Fig.7). Debouncing can be realized by means of a small capacitor connected between MUTE and V_{SS} .

An internal start circuit ensures that the circuit always starts up in the standby condition.

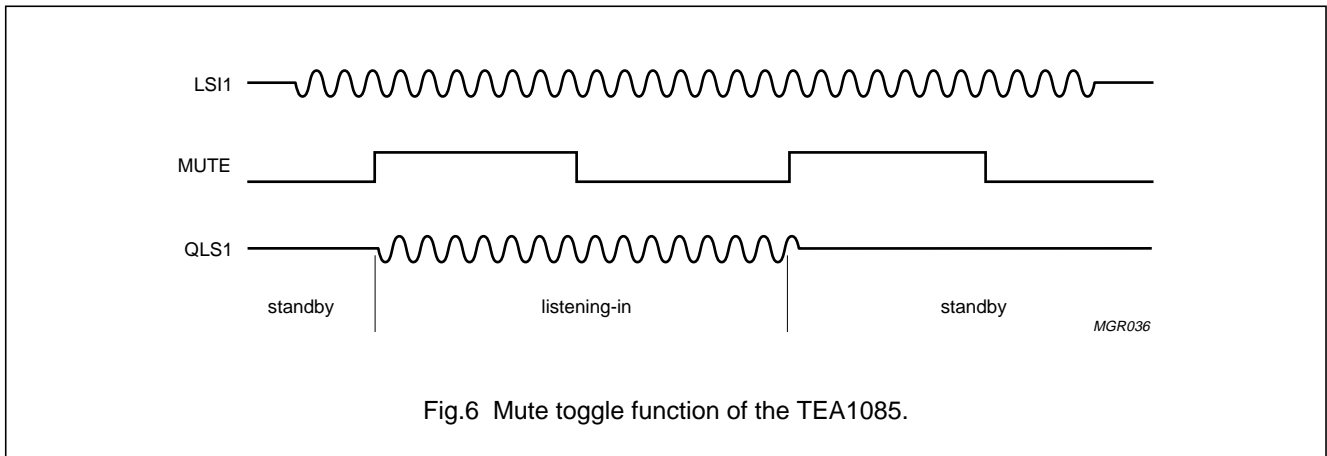


Fig.6 Mute toggle function of the TEA1085.

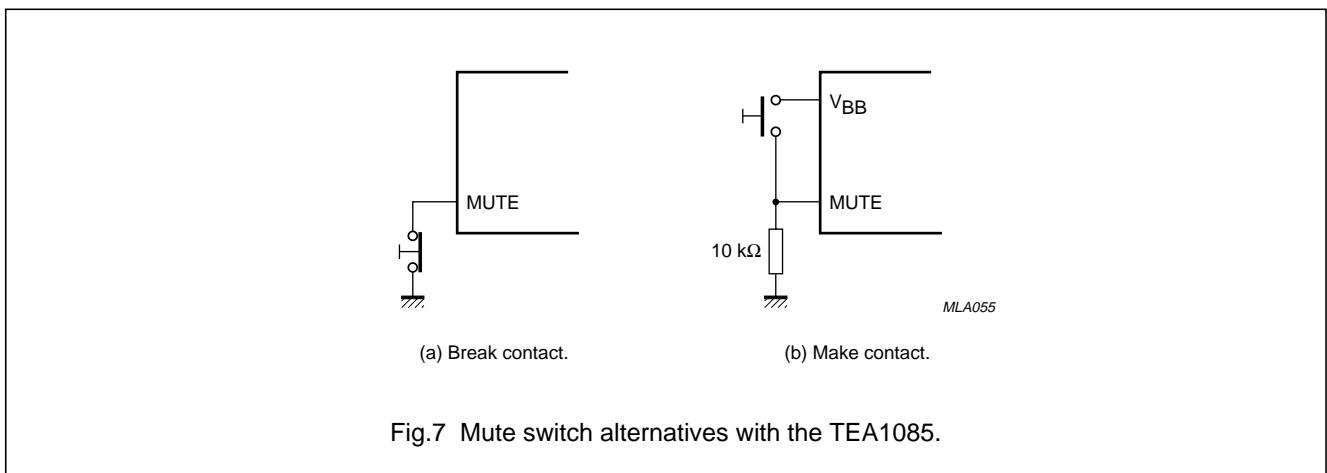


Fig.7 Mute switch alternatives with the TEA1085.

Listening-in circuit for line-powered telephone sets

TEA1085; TEA1085A

Power down input (PD) pin 19

During pulse dialling or register recall (timed loop break) the telephone line is interrupted, thereby breaking the supply to the transmission and listening-in circuits. The capacitor connected to V_{BB} provides the supply for the listening-in circuit during the supply breaks.

By making the PD input HIGH during the loop break the requirement on the capacitor is eased and, consequently, the internal (standby) current consumption I_{BBO} (Fig.4) at V_{BB} is reduced from 3.8 mA to 400 μ A typical. So that the transmission circuit is not affected transistors TR1 and TR2 are inhibited and the bias current is reduced from ≈ 0.4 mA to ≈ 55 μ A with $V_{SUP} = 4.5$ V in the following equation:

$$I_{SUP(PD)} = I_{BIAS(PD)} = (V_{SUP} - 2V_d) / R_a$$

(where 4.2 V < V_{SUP} < $V_{BB} + 3$ V)

$2V_d$ = the voltage drop across 2 internal diodes (≈ 1.3 V)
 R_a = an internal resistor of typical 60 k Ω

Larsen limiter current stabilizer (SIC) pin 17

A current reference is set by resistor R36 between SIC and V_{SS} . The preferred value is 120 k Ω . The internal reference current is given by the following equation:

$$I_{SIC} = 1.25 / R36; \text{ when } R36 = 120 \text{ k}\Omega, I_{SIC} = 10.5 \mu\text{A}$$

Changing the value of R36 will affect the timing of the Larsen level limiter system.

Larsen limiter preamplifier (LAI1/LAI2 and QLA) pins 9/10 and 11

This circuit amplifies the microphone signal to a level suitable for the Larsen limiter detector. The gain is set by external components (see Fig.8).

Normally the gain is set to the same level as the microphone amplifier of the transmission circuit, this ensures that the output signal level at output QLA is equal to the line signal level.

The gain between QLA and the microphone input is given by the following equation (the high-pass filter is not taken into account):

$$A_{pre} = V_{QLA} / V_M = R29 / R26; \text{ in the basic application } R25 = R26 = 10 \text{ k}\Omega$$

The gain can be adjusted between 30 dB ($R29 = 316$ k Ω) and 52 dB ($R29 = 4$ M Ω). The impedance result of R28 and R27 in parallel must be equal to R29 (e.g. $R27 = R28 = 2 \times R29$).

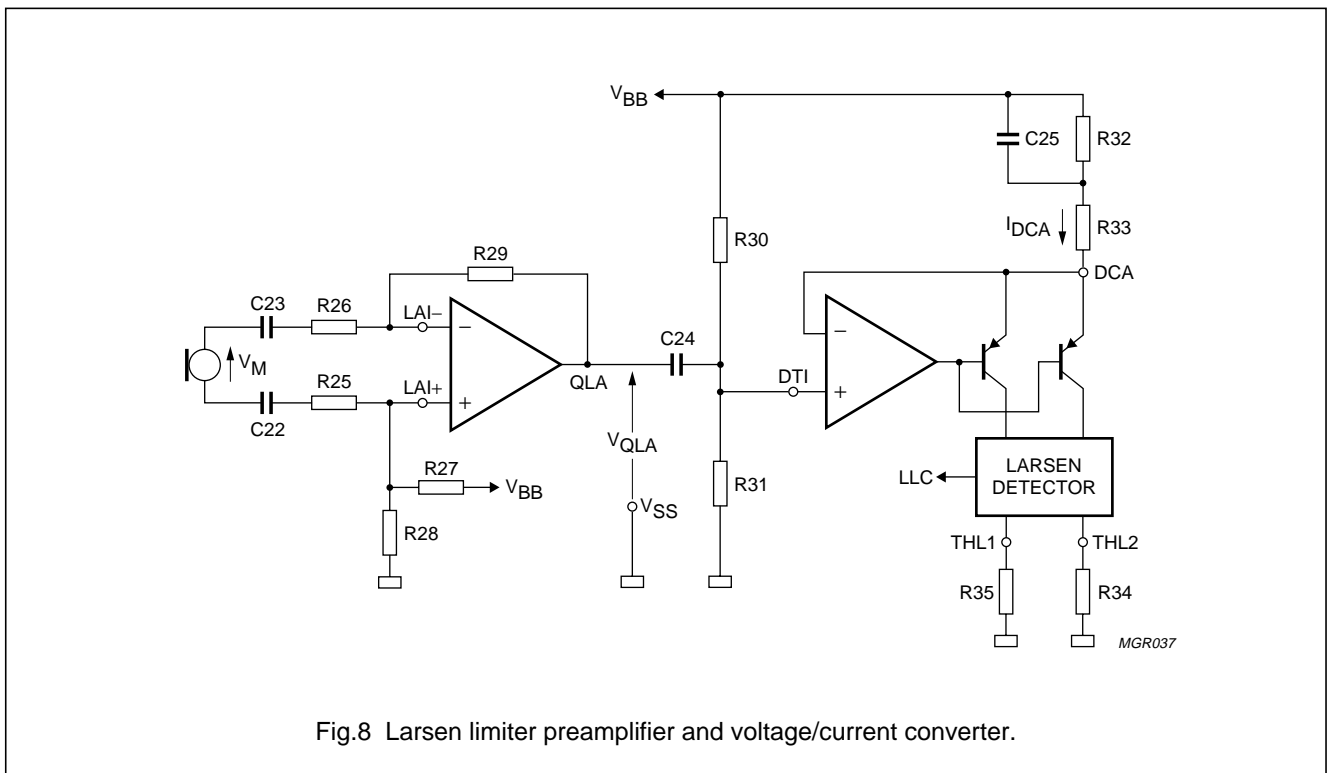


Fig.8 Larsen limiter preamplifier and voltage/current converter.

Listening-in circuit for line-powered telephone sets

TEA1085; TEA1085A

Larsen limiter detector (DTI and DCA) pins 15 and 16

The QLA output signal is AC coupled to the detector input DTI. DTI is biased by potential divider R30 and R31. The voltage applied to DTI of the Larsen level limiter is converted into a current for further processing in this circuit. Current adjustment is achieved using the network connected between DCA and V_{BB} (see Fig.8).

The equation for DC current is:

$$I_{DCA} = \frac{R30}{R30 + R31} \times V_{BB} \times \frac{1}{R32 + R33}$$

The equation for AC current is:

$$i_{DCA} = \frac{V_{DTI}}{R33} \text{ for } f > \frac{1}{2\pi} R33 C25$$

In the basic application:

R30 = 100 kΩ, R31 = 220 kΩ, R33 = 500 Ω, R32 = 100 kΩ and C25 = 330 nF

This results in I_{DCA} = 11 μA and the equation:

$$\frac{i_{DCA}}{V_{DTI}} = 2 \text{ (mA/V)}$$

High-pass filter

A third order high-pass filter is created between the microphone input voltage and the current flowing into DCA. The cut-off frequencies (see Fig.9) of the three sections are:

$$f1 = \frac{1}{2\pi R_{eq} C24} \text{ where } R_{eq} = \frac{R30 \times R31}{R30 + R31}$$

$$f2 = \frac{1}{2\pi R33 C24}$$

$$f3 = \frac{1}{2\pi R26 C23} = 1/(2\pi R25 C22)$$

Where: R25 = R26 and C22 = C23

The filter reduces the sensitivity of the system to own speech.

Normal speech is in the frequency range 300 Hz to 3400 Hz, however, the Larsen signal normally occurs at a frequency > 3 kHz.

With the component values as used in the basic application (see Fig.16); f1 = 500 Hz, f2 = 1 kHz and f3 = 3 kHz

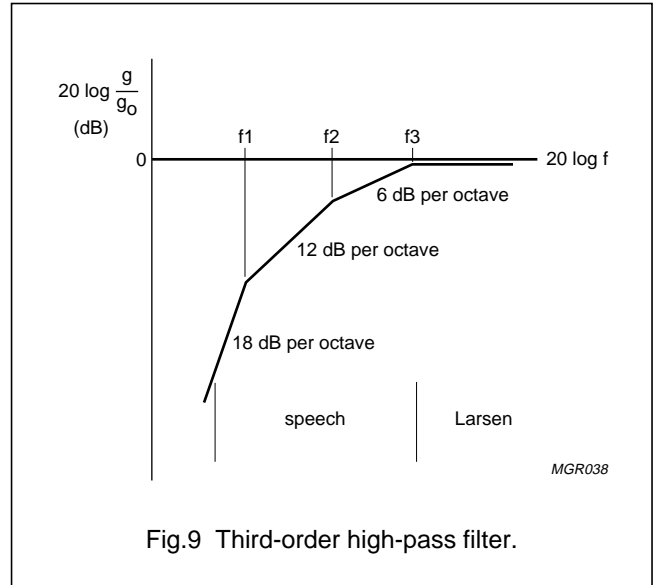


Fig.9 Third-order high-pass filter.

Where: $g = \frac{i_{DCA}}{V_m}$ $g_o = \frac{A_{pre}}{R33}$

Larsen limiter capacitor (LLC) pin 12

A 1 μF capacitor (C26) is connected externally between V_{SS} and LLC to determine the attack and release timing of the Larsen level limiter in the listen-in and Larsen mode. The timing is also dependent on the value of the resistor connected between SIC and V_{SS}.

Larsen level limiter threshold (THL1 and THL2) pins 13 and 14

When the signal at DTI exceeds the first threshold level the capacitor connected to LLC will start to discharge. The first threshold level is determined by the value of the resistor, R35, connected to THL1 and V_{SS}. The amount of discharge of C26 depends on how much the level of the signal at DTI exceeds the first threshold level (for normal speech the discharge is small).

The Larsen effect is generally defined as a signal level of ≥ 100 mV(RMS), on line, for a period of more than 100 ms. The Larsen signal must be reduced to a low level within 200 ms. For Larsen signal levels (f > f3 in Fig.9) of ≥ 100 mV(RMS) at DTI and, with the component values of Fig.16, the system will switch from the listen-in mode to the Larsen mode in a time period of 100 ms to 200 ms; consequently, the initial Larsen effect will last only for a short period of time.

Listening-in circuit for line-powered telephone sets

TEA1085; TEA1085A

This reaction time is the 'attack delay time' and ensures minimum sensitivity of the system for own speech.

The first threshold level at DTI is determined by the equation:

$$V_{DTI1} = \left(\frac{1.25}{R25} - \frac{I_{DCA}}{2} \right) \times 2 \times R33 \quad (\text{if } f > f3 \text{ in Fig.9})$$

Where: I_{DCA} = the DC current into DCA

With the component values given in Fig.16, $I_{DCA} = 11 \mu\text{A}$ thus $V_{DTI1} = 18.8 \text{ mV}$.

Listen-in mode

During normal speech the discharge of the capacitor connected to LLC is not sufficient to reach the threshold level whereby the system switches to the Larsen mode. This is because normal speech is not continuous, the discharge of C26 is slow (attack delay) and the charge is fast.

The slope of V_{LLC} during charge is given in the equation:

$$S_{1i} = \frac{\Delta V_{LLC}}{\Delta t} = \frac{1.25}{C26 \times R36} \quad (\text{V/s})$$

With $C26 = 1 \mu\text{F}$ and $R36 = 120 \text{ k}\Omega$ this results in $S_{1i} = 10 \text{ V/s}$.

Discharge of the capacitor at LLC occurs when the signal at DTI exceeds V_{DTI1} , thus for a continuous signal at DTI the attack delay time t_{ad} (see Fig.10) is determined by the equation:

$$t_{ad} = \frac{C26 \times R36}{2 \times (3 \times k - 1)}$$

Where $k = t_1 / T$

The duty cycle is determined by the time in which the first threshold level (V_{DTI1}) is exceeded by the signal level at DTI (see Fig.11) thus for large signals; $k \leq 0.5$.

With the component values given in Fig.16; $k \geq 0.457$ for signals $\geq 100 \text{ mV(RMS)}$.

Consequently $120 \text{ ms} \leq t_{ad} \leq 160 \text{ ms}$, for $V_{DTI} \geq 100 \text{ mV(RMS)}$

Larsen mode

After the 'attack delay time' the circuit switches from the listen-in mode to the Larsen mode. The gain of the loudspeaker amplifier is reduced quickly to a value (t_{LAa} = Larsen attack time, see Fig.10) whereby the residual Larsen signal is determined by a second threshold level. This level can be set by resistor R34 connected between THL2 and V_{SS} . The second threshold level must always be selected at a lower level than the first threshold level thus $R34 > R35$.

The time taken to effect gain reduction is very short. In the Larsen mode the circuit acts as a dynamic limiter with peak detector and regulates the gain so that the signal level at DTI is determined by the second threshold level V_{DTI2} .

The second threshold level at DTI is determined by the equation:

$$V_{DTI2} = \left(\frac{1.25}{R34} - \frac{I_{DCA}}{2} \right) \times 2 \times R33 \quad (\text{if } f > f3 \text{ in Fig.9})$$

Where: I_{DCA} = the DC current into DCA

With the component values given in Fig.16, $V_{DTI2} = 6.9 \text{ mV}$.

The charge current in the Larsen mode is reduced to half the charge current in the listen-in mode.

The slope of V_{LLC} during charge (see Fig.10) is given in the equation:

$$S_{1a} = \frac{\Delta V_{LLC}}{\Delta t} = \frac{1.25}{2 \times C26 \times R34} \quad (\text{V/s})$$

Where: $C26 = 1 \mu\text{F}$ and $R34 = 100 \text{ k}\Omega$, $S_{1a} = 5 \text{ V/s}$

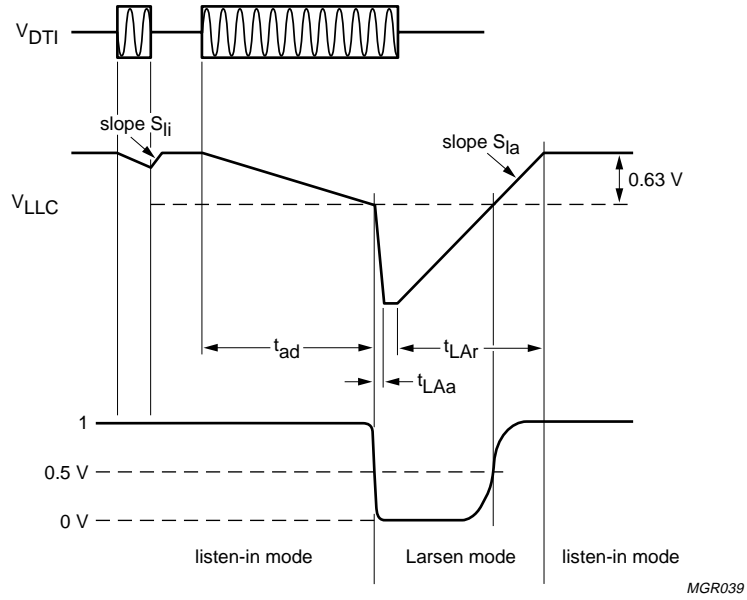
When the Larsen effect stops (total open-loop gain < 1) the gain of the loudspeaker amplifier will return to its normal value in a time period known as the 'Larsen release time' (t_{LAR}). This time period is determined by capacitor C26 connected to LLC and resistor R36 connected to SIC.

Where: $C26 = 1 \mu\text{F}$ and $R36 = 120 \text{ k}\Omega$, $t_{LAR} = 250 \text{ ms}$

In practice the choice of the threshold levels (determined by R35 and R34) depends on the sensitivity of the microphone and loudspeaker, the send and receive gains, sidetone suppression and the acoustical properties which are determined by the cabinet of the telephone set.

Listening-in circuit for line-powered telephone sets

TEA1085; TEA1085A

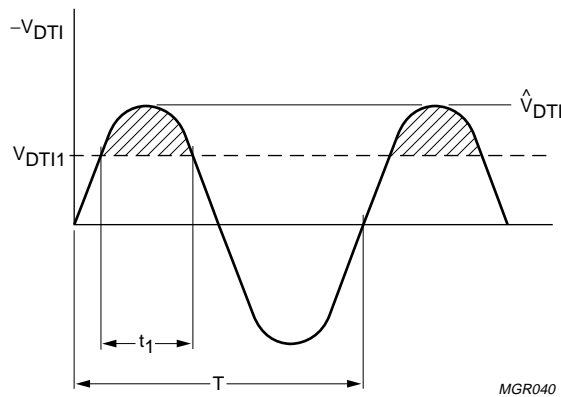


Where:

$$\text{Change of receive gain} = \frac{G_v}{G_{v0}}$$

Nominal receive gain = $20 \log G_{v0} = 35 \text{ dB}$

Fig.10 Dynamic behaviour of Larsen limiter (in open-loop condition).



Where:

$$k = \frac{t_1}{T}$$

$$k = 0.5 - \frac{\arcsin\left(\frac{V_{DTI1}}{\hat{V}_{DTI}}\right)}{\pi}$$

Fig.11 Definition of duty cycle k.

Listening-in circuit for line-powered telephone sets

TEA1085; TEA1085A

LIMITING VALUES

In accordance with the Absolute Maximum System (IEC 134)

SYMBOL	PARAMETER	CONDITIONS	MIN.	MAX.	UNIT
V _{SUP}	positive supply voltage				
	continuous		–	12	V
	during switch-on or line interruption		–	13.2	V
	repetitive supply voltage from 1 ms to 5 s	with 12 Ω current limiting resistor in series with supply	–	28	V
V _{SREF}	supply reference voltage		V _{SS} – 0.5	V _{SUP} + 0.5	V
V _n	voltage on all other pins		V _{SS} – 0.5	V _{BB} + 0.5	V
I _{SUP}	supply current				
	TEA1085/TEA1085A	see Fig.12	–	120	mA
	TEA1085T/TEA1085AT	see Fig.13	–	120	mA
P _{tot}	total power dissipation				
	TEA1085/TEA1085A	T _{amb} = 75 °C; T _j = 125 °C	–	1	W
	TEA1085T/TEA1085AT		–	666	mW
T _{amb}	operating ambient temperature range		–25	+75	°C
T _{stg}	storage temperature range		–40	+125	°C
T _j	junction temperature		–	+125	°C

THERMAL RESISTANCE

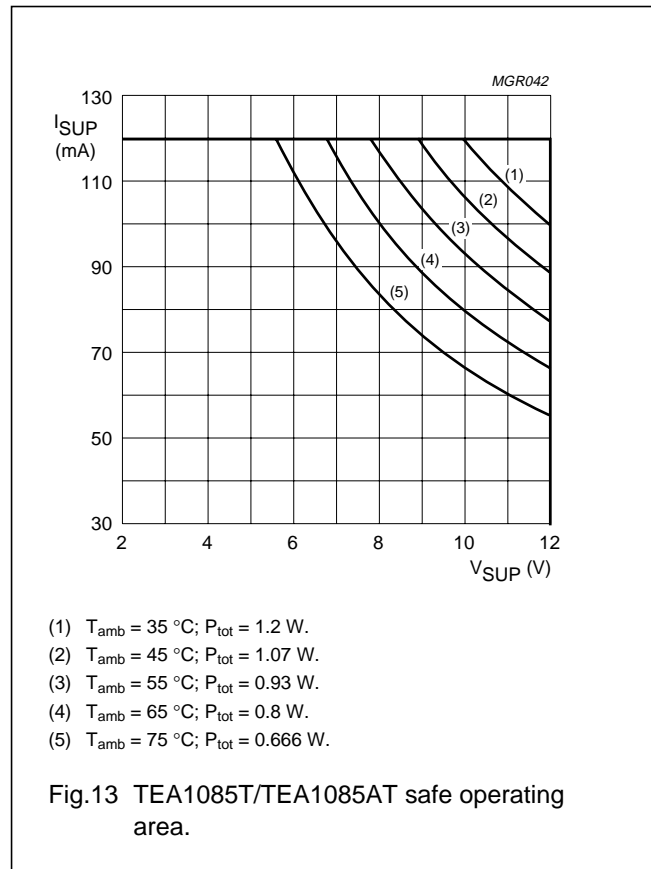
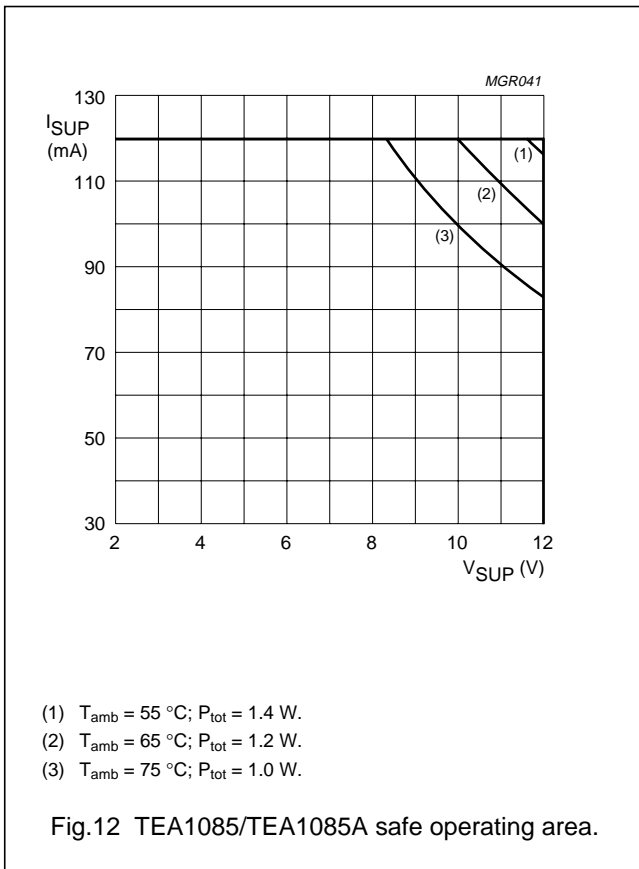
SYMBOL	PARAMETER	CONDITIONS	THERMAL RESISTANCE
R _{th j-a}	from junction to ambient in free air		
	TEA1085/TEA1085A		50 K/W
	TEA1085T/TEA1085AT	note 1	75 K/W

Note

1. Device mounted on a glass epoxy board 40.1 × 19.1 × 1.5 mm.

Listening-in circuit for line-powered telephone sets

TEA1085; TEA1085A



Listening-in circuit for line-powered telephone sets

TEA1085; TEA1085A

CHARACTERISTICS

$V_{SREF} = 4.2$ V; $V_{SS} = 0$ V; $I_{SUP} = 15$ mA; $V_{SUP} = 0$ V(RMS); $f = 800$ Hz; $T_{amb} = 25$ °C; PD = LOW; MUTE (TEA1085) = OFF (listening-in mode); MUTE (TEA1085A) = HIGH (listening-in mode); GSC1 = GSC2 = LOW; 50 Ω loudspeaker; no R38; test circuit Fig.14; unless otherwise specified

SYMBOL	PARAMETER	CONDITIONS	MIN.	TYP.	MAX.	UNIT
Supplies						
V_{SUP}	minimum DC input voltage		–	$V_{BB} + 0.7$	–	V
$V_{SUP-SREF}$	internal reference voltage		275	315	355	mV
V_{BB}	stabilized supply voltage	no R38; $I_{SUP} = 15$ mA	3.4	3.6	3.8	V
ΔV_{BB}	variation from $I_{SUP} = 15$ to 120 mA		–	10	–	mV
		R38 = 39.2 k Ω between pins V_{SS} and VA; $V_{SREF} = 5.2$ V; $I_{SUP} = 15$ mA	4.2	4.45	4.7	V
$\Delta V_{BB} / \Delta T$	variation with temperature	no R38; $I_{SUP} = 15$ mA	tbf	–0.2	tbf	V
I_{SUP}	minimum operating current		–	4.2	5.5	mA
THD	distortion of AC signal on SUP	$V_{SUP(RMS)} = 1$ V	–	0.3	–	%
$V_{no(RMS)}$	noise between SUP and V_{EE}		–	–72	–	dBmp
I_{SUP}	current consumption in power-down condition	PD = HIGH				
		$V_{SUP} = 4.5$ V	–	55	75	μ A
I_{BB}		$V_{BB} = 3.6$ V	–	400	550	μ A
Loudspeaker amplifier inputs LSI1 and LSI2						
$ Z_i $	input impedance	single ended	7.5	9.5	11.5	k Ω
		differential	15	19	23	k Ω
G_v	voltage gain with 50 Ω load	$I_{SUP} = 15$ mA; $V_i = 1.8$ mV(RMS)				
		single ended	34	35	36	dB
		BTL output	39.9	40.9	41.9	dB
ΔG_v	variation with signal level	$I_{SUP} = 50$ mA; $V_i = 1.8$ mV(RMS) and 14 mV(RMS)				
		single ended	–	+0.1	0.4	dB
		BTL output	–	+0.2	0.6	dB
ΔG_v	variation with frequency referred to 1 kHz	$f = 300$ Hz and 3400 Hz; $V_i = 1.8$ mV(RMS)				
		single ended	–	± 0.1	–	dB
		BTL output	–	± 0.1	–	dB
ΔG_v	variation with temperature referred to 25 °C	$T_{amb} = -25$ to +75 °C				
		single ended	–	± 0.4	–	dB
		BTL output	–	± 0.5	–	dB

Listening-in circuit for line-powered
telephone sets

TEA1085; TEA1085A

SYMBOL	PARAMETER	CONDITIONS	MIN.	TYP.	MAX.	UNIT
Loudspeaker outputs QLS1 and QLS2						
$V_{o(p-p)}$	output voltage (peak-to-peak value) single ended	$V_i = 22 \text{ mV(RMS)}$				
		$I_{SUP} = 9 \text{ mA}$; note 1	1.2	1.45	–	V
	bridge tied load	$I_{SUP} = 17 \text{ mA}$; note 2	2.5	2.9	–	V
		$I_{SUP} = 23.5 \text{ mA}$; note 2	2.5	2.9	–	V
		$I_{SUP} = 32 \text{ mA}$; note 3	3.5	4.0	–	V
THD	total harmonic distortion single ended	$V_i = 22 \text{ mV(RMS)}$				
		$I_{SUP} = 9 \text{ mA}$	–	0.4	2	%
	bridge tied load	$I_{SUP} = 17 \text{ mA}$	–	0.7	2	%
		$I_{SUP} = 23.5 \text{ mA}$	–	0.4	2	%
$V_{o(p-p)}$	output voltage (peak-to-peak value) single ended	$V_i = 22 \text{ mV(RMS)}$ $I_{SUP} = 17 \text{ mA}$; $V_{SUP} - V_{EE} = 1 \text{ V(RMS)}$	1.75	2.15	–	V
Dynamic limiter						
THD	total harmonic distortion single ended	$V_i = 22 \text{ mV(RMS)}$ +10 dB				
		$I_{SUP} = 9 \text{ mA}$	–	0.5	10	%
	bridge tied load	$I_{SUP} = 17 \text{ mA}$	–	1.2	10	%
		$I_{SUP} = 23.5 \text{ mA}$	–	0.6	10	%
t_{att}	dynamic behaviour of limiter attack time; V_i jumps from 10 mV(RMS) to 65 mV(RMS) voltage limiter current limiter V_{BB} limiter	single ended load				
		$I_{SUP} = 17 \text{ mA}$	–	2	5	ms
		$I_{SUP} = 12 \text{ mA}$	–	500	tbf	ms
		$I_{SUP} = 9 \text{ mA}$	–	10	–	ms
t_{rel}	release time; V_i jumps from 65 mV(RMS) to 10 mV(RMS)	$I_{SUP} = 17 \text{ mA}$	tbf	75	tbf	ms
V_{BBO}	threshold V_{BB} limiter below which gain reduction starts	$I_{SUP} = 9 \text{ mA}$	tbf	2.95	tbf	V
$V_{no(RMS)}$	noise output voltage single ended bridge tied load	1 k Ω between inputs LSI1, LSI2; psophometrically weighted (P53 curve)	–	170	–	μV
			–	350	–	μV
Logic gain control						
ΔG_v	reduction of voltage gain GSC2 = 0, GSC1 = 1 GSC2 = 1, GSC1 = 0 GSC2 = 1, GSC1 = 1	$V_i = 1.8 \text{ mV(RMS)}$	5.8	6.3	6.8	dB
			11.7	12.2	12.7	dB
			17	18	19	dB

Listening-in circuit for line-powered telephone sets

TEA1085; TEA1085A

SYMBOL	PARAMETER	CONDITIONS	MIN.	TYP.	MAX.	UNIT
Larsen limiter preamplifier						
G_{v0}	operational amplifier open-loop gain		–	92	–	dB
f_{p1}	1st pole		–	120	–	Hz
f_{p2}	2nd pole		–	3.3	–	MHz
G_B	unity gain bandwidth		–	4	–	MHz
G_v	voltage gain	$f = 3 \text{ kHz};$ $R_{26} = 10 \text{ k}\Omega;$ $R_{29} = 4 \text{ M}\Omega$	51	52	53	dB
G_v	gain adjustment range		30	–	52	dB
Larsen limiter detector						
$V_{DCA} - V_{DTI}$	voltage to current convertor DC offset voltage	$V_{BB} - V_{DTI} = 1 \text{ V}$	–25	1	+25	mV
G_v	voltage gain from DTI to DCA	$V_{DTI} = 100 \text{ mV(RMS)};$ $f = 3 \text{ kHz}$	tbf	–0.8	tbf	dB
V_{THL1}	DC voltage at THL1	$R_{35} = 51 \text{ k}\Omega$	1.8	1.25	1.33	V
V_{THL2}	DC voltage at THL2	$R_{34} = 100 \text{ k}\Omega$	1.8	1.25	1.33	V
	dynamic behaviour with a burst at DTI	$f = 3 \text{ kHz};$ see Fig.15				
t_{Lir}	listen-in release time	see Fig.15(a)	tbf	40	tbf	ms
t_{ad}	attack delay time V_{DTI} jumps from 0 to 100 mV (RMS value) V_{DTI} jumps from 0 to 1 V (RMS value)	see Fig.15(b)	– 100	160 120	200 –	ms ms
t_{LAa}	Larsen attack time	see Fig.15(b); $V_{DTI} = 100 \text{ mV(RMS)}$	–	20	tbf	ms
t_{LAR}	Larsen release time V_{DTI} jumps from 100 mV to 0 mV (RMS value)	see Fig.15(b)	tbf	250	tbf	ms
V_{LLC}	DC voltage at LLC	$V_{DTI} = 0 \text{ V}$	1.75	1.9	2.0	V
$-\Delta V_{LLC}$	reduction of V_{LLC} to attack Larsen mode		0.59	0.63	0.68	V
ΔG_v	gain reduction	$V_{LLC} = 0.7 \text{ V}$	60	tbf	tbf	dB

Listening-in circuit for line-powered
telephone sets

TEA1085; TEA1085A

SYMBOL	PARAMETER	CONDITIONS	MIN.	TYP.	MAX.	UNIT
MUTE input; TEA1085						
	(toggle function, positive edge triggered set-reset flip-flop)					
V _{IL}	LOW level input voltage		0	–	0.3	V
V _{IH}	HIGH level input voltage		1.5	–	V _{BB} + 0.4	V
I _{MUTE}	input current	MUTE = LOW	–	–22	–28	μA
t _W	minimum input pulse width		–	50	–	μs
P _R	minimum pulse repetition time		–	2	–	ms
V _{BB(MUTE)}	supply voltage below which MUTE toggle is reset		tbf	2	tbf	V
ΔG _V	reduction of gain from LSI1, LSI2 to QLS1, QLS2	MUTE = ON	60	100	–	dB
MUTE input; TEA1085A						
V _{IL}	LOW level input voltage		0	–	0.3	V
V _{IH}	HIGH level input voltage		1.5	–	V _{BB} + 0.4	V
I _{MUTE}	input current	MUTE = HIGH	–	10	20	μA
ΔG _V	reduction of gain from LSI1, LSI2 to QLS1, QLS2	MUTE = HIGH	60	100	–	dB
Power down input						
V _{IL}	LOW level input voltage		0	–	0.3	V
V _{IH}	HIGH level input voltage		1.5	–	V _{BB} + 0.4	V
I _{PD}	input current	PD = HIGH	–	2.3	2.8	μA
Logic inputs GSC1 and GSC2						
V _{IL}	LOW level input voltage		0	–	0.3	V
V _{IH}	HIGH level input voltage		1.5	–	V _{BB} + 0.4	V
I _{GSC}	input current	GSC = HIGH	–	6	8	μA

Notes

1. Typical output power is 5 mW into 50 Ω
2. Typical output power is 20 mW into 50 Ω
3. Typical output power is 40 mW into 50 Ω

Listening-in circuit for line-powered telephone sets

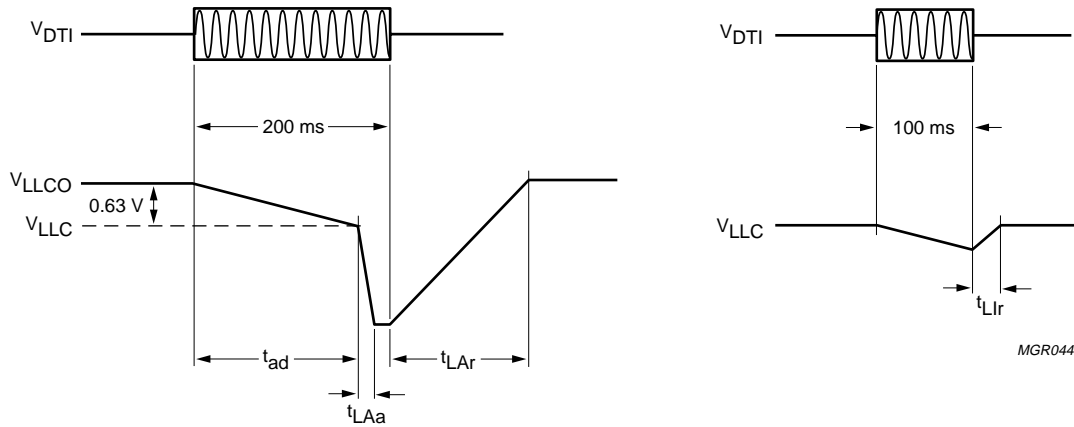
TEA1085; TEA1085A

Table 2 Component values in test circuit Fig.14

COMPONENT	CONDITION	VALUE	UNIT
Resistor			
R1		620	Ω
R5		3.6	$k\Omega$
R9		20	Ω
R20		150	Ω
R25		10	$k\Omega$
R26		10	$k\Omega$
R27		8	$M\Omega$
R28		8	$M\Omega$
R29		4	$M\Omega$
R30		100	$k\Omega$
R31		220	$k\Omega$
R32		100	$k\Omega$
R33		500	Ω
R34		100	$k\Omega$
R35		51	$k\Omega$
R36		120	$k\Omega$
Capacitor			
C1		100	μF
C3		4.7	μF
C20		470	μF
C21		68	pF
C22		2.2	μF
C23		2.2	μF
C24		100	nF
C25		330	nF
C26		1	μF
C27		220	μF
C28		330	nF
C31	TEA1085 only	10	nF

Listening-in circuit for line-powered telephone sets

TEA1085; TEA1085A



(b) Attack delay (t_{ad}), Larsen attack time (t_{LAa}),
Larsen release time (t_{LAr});
 $V_{DTI} = 100 \text{ mV(RMS)}$ and 1 V(RMS) ; $f = 3 \text{ kHz}$.

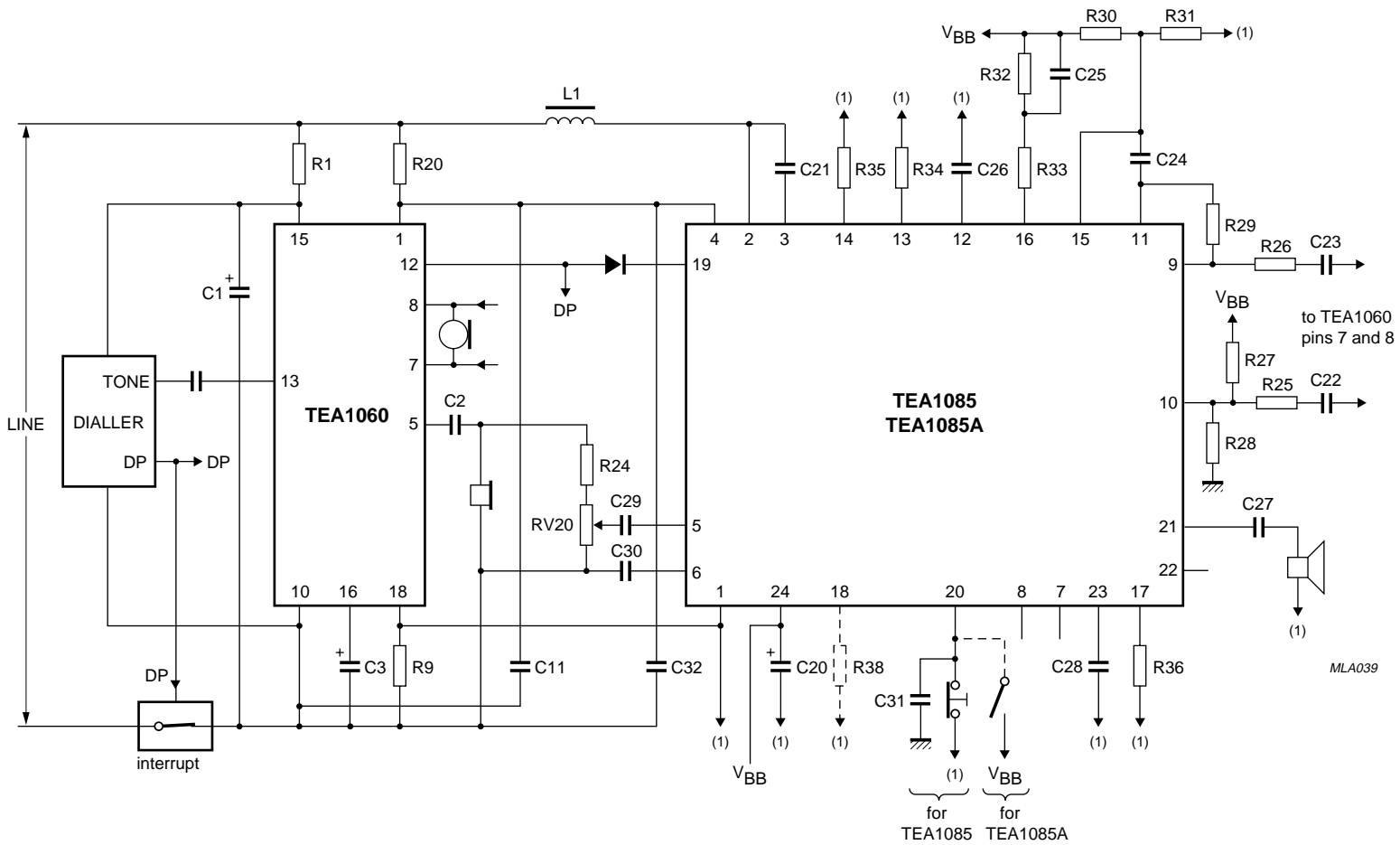
(a) Listen-in release time (t_{LIr});
 $V_{DTI} = 100 \text{ mV(RMS)}$; $f = 3 \text{ kHz}$.

Fig.15 Test signals for Larsen level limiter.

Listening-in circuit for line-powered telephone sets

TEA1085; TEA1085A

APPLICATION INFORMATION



(1) To TEA1060 (SLPE).

Fig.16 Basic application of TEA1085/TEA1085A and TEA1060.

Listening-in circuit for line-powered telephone sets

TEA1085; TEA1085A

The basic application circuit of the TEA1085/TEA1085A is illustrated in Fig.16. Only the most important components of the TEA1060 part are shown, other components and their values are given in the TEA1060 Data sheet.

The supply pin (V_{BB}) of the TEA1085/TEA1085A can also be used to supply peripheral circuits (e.g. microcontrollers, diallers etc.). Further information will be published in the TEA1085 application report.

Table 3 Component values in application circuit Fig.16

COMPONENT	CONDITION	VALUE	UNIT
Resistor			
R20		150	Ω
R24	note 1	1	$k\Omega$
R25		10	$k\Omega$
R26		10	$k\Omega$
R27	note 1	3.3	$M\Omega$
R28	note 1	3.3	$M\Omega$
R29	note 1	1.65	$M\Omega$
R30		100	$k\Omega$
R31		220	$k\Omega$
R32		100	$k\Omega$
R33		500	Ω
R34		100	$k\Omega$
R35		51	$k\Omega$
R36		120	$k\Omega$
RV20	note 1	1	$k\Omega$
Capacitor			
C11		4.7	nF
C20		470	μF
C21		47	pF
C22		4.7	nF
C23		4.7	nF
C24		4.7	nF
C25		330	nF
C26		1	μF
C27		47	μF
C28		330	nF
C29		220	nF
C30		220	nF
C31	TEA1085 only	10	nF
Coil			
L1		150	μH

Note

1. Value depends on the gain setting of the transmission circuit.

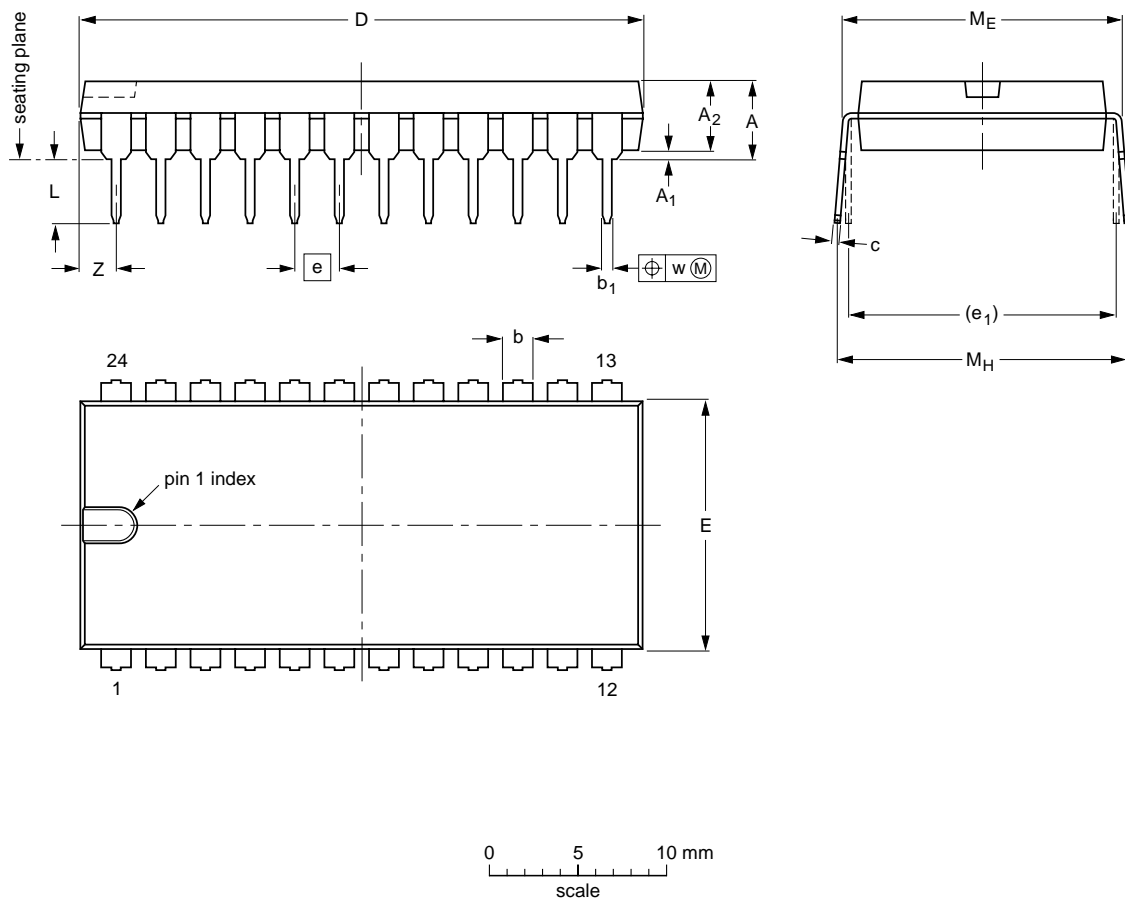
Listening-in circuit for line-powered telephone sets

TEA1085; TEA1085A

PACKAGE OUTLINES

DIP24: plastic dual in-line package; 24 leads (600 mil)

SOT101-1



DIMENSIONS (inch dimensions are derived from the original mm dimensions)

UNIT	A max.	A ₁ min.	A ₂ max.	b	b ₁	c	D ⁽¹⁾	E ⁽¹⁾	e	e ₁	L	M _E	M _H	w	Z ⁽¹⁾ max.
mm	5.1	0.51	4.0	1.7 1.3	0.53 0.38	0.32 0.23	32.0 31.4	14.1 13.7	2.54	15.24	3.9 3.4	15.80 15.24	17.15 15.90	0.25	2.2
inches	0.20	0.020	0.16	0.066 0.051	0.021 0.015	0.013 0.009	1.26 1.24	0.56 0.54	0.10	0.60	0.15 0.13	0.62 0.60	0.68 0.63	0.01	0.087

Note

1. Plastic or metal protrusions of 0.25 mm maximum per side are not included.

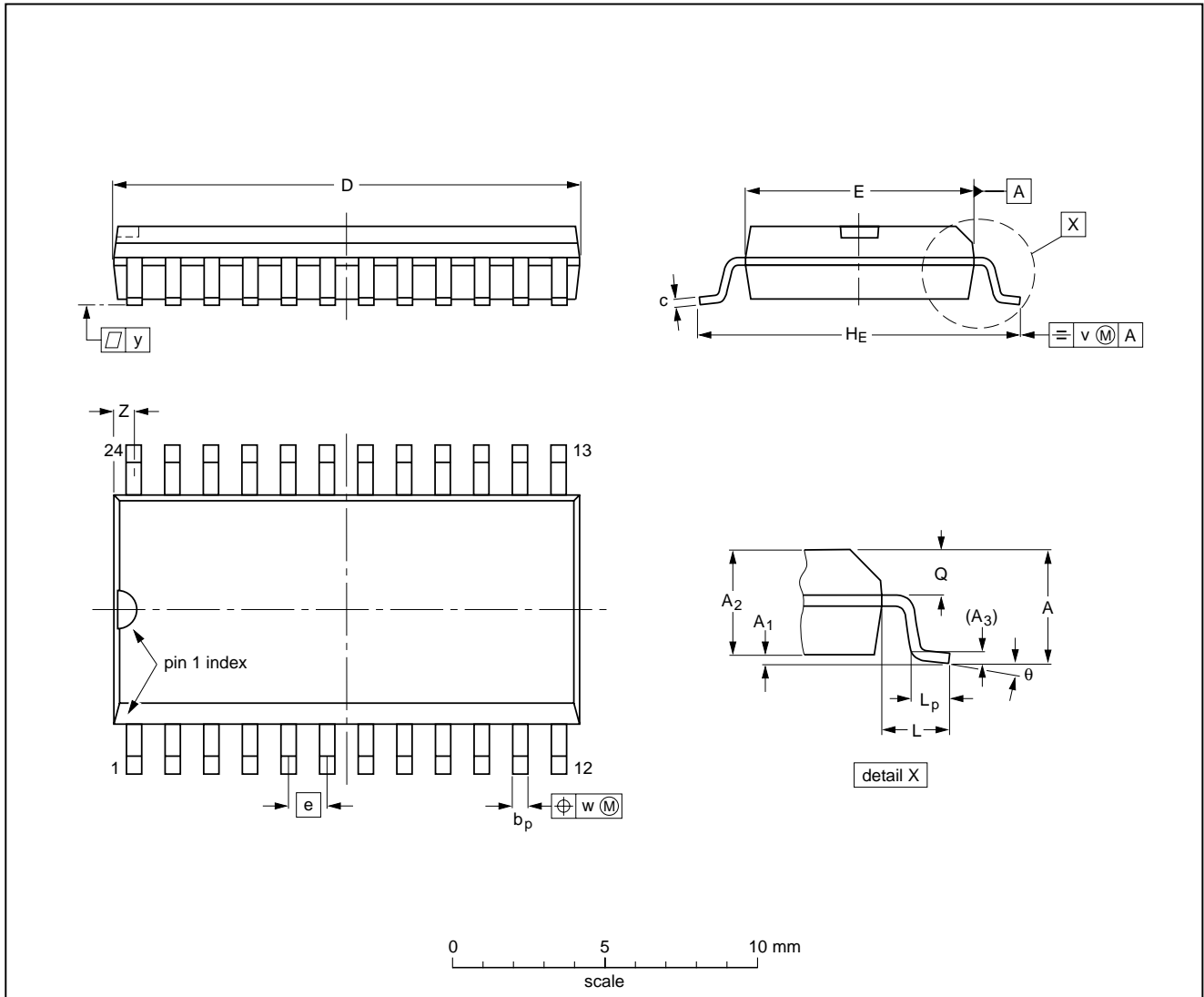
OUTLINE VERSION	REFERENCES				EUROPEAN PROJECTION	ISSUE DATE
	IEC	JEDEC	EIAJ			
SOT101-1	051G02	MO-015AD				92-11-17 95-01-23

Listening-in circuit for line-powered telephone sets

TEA1085; TEA1085A

SO24: plastic small outline package; 24 leads; body width 7.5 mm

SOT137-1



DIMENSIONS (inch dimensions are derived from the original mm dimensions)

UNIT	A max.	A ₁	A ₂	A ₃	b _p	c	D ⁽¹⁾	E ⁽¹⁾	e	H _E	L	L _p	Q	v	w	y	Z ⁽¹⁾	θ
mm	2.65	0.30 0.10	2.45 2.25	0.25	0.49 0.36	0.32 0.23	15.6 15.2	7.6 7.4	1.27	10.65 10.00	1.4	1.1 0.4	1.1 1.0	0.25	0.25	0.1	0.9 0.4	8° 0°
inches	0.10	0.012 0.004	0.096 0.089	0.01	0.019 0.014	0.013 0.009	0.61 0.60	0.30 0.29	0.050	0.419 0.394	0.055	0.043 0.016	0.043 0.039	0.01	0.01	0.004	0.035 0.016	

Note

1. Plastic or metal protrusions of 0.15 mm maximum per side are not included.

OUTLINE VERSION	REFERENCES			EUROPEAN PROJECTION	ISSUE DATE
	IEC	JEDEC	EIAJ		
SOT137-1	075E05	MS-013AD			95-01-24 97-05-22

Listening-in circuit for line-powered telephone sets

TEA1085; TEA1085A

SOLDERING

Introduction

There is no soldering method that is ideal for all IC packages. Wave soldering is often preferred when through-hole and surface mounted components are mixed on one printed-circuit board. However, wave soldering is not always suitable for surface mounted ICs, or for printed-circuits with high population densities. In these situations reflow soldering is often used.

This text gives a very brief insight to a complex technology. A more in-depth account of soldering ICs can be found in our *"Data Handbook IC26; Integrated Circuit Packages"* (order code 9398 652 90011).

DIP

SOLDERING BY DIPPING OR BY WAVE

The maximum permissible temperature of the solder is 260 °C; solder at this temperature must not be in contact with the joint for more than 5 seconds. The total contact time of successive solder waves must not exceed 5 seconds.

The device may be mounted up to the seating plane, but the temperature of the plastic body must not exceed the specified maximum storage temperature ($T_{stg\ max}$). If the printed-circuit board has been pre-heated, forced cooling may be necessary immediately after soldering to keep the temperature within the permissible limit.

REPAIRING SOLDERED JOINTS

Apply a low voltage soldering iron (less than 24 V) to the lead(s) of the package, below the seating plane or not more than 2 mm above it. If the temperature of the soldering iron bit is less than 300 °C it may remain in contact for up to 10 seconds. If the bit temperature is between 300 and 400 °C, contact may be up to 5 seconds.

SO

REFLOW SOLDERING

Reflow soldering techniques are suitable for all SO packages.

Reflow soldering requires solder paste (a suspension of fine solder particles, flux and binding agent) to be applied to the printed-circuit board by screen printing, stencilling or pressure-syringe dispensing before package placement.

Several techniques exist for reflowing; for example, thermal conduction by heated belt. Dwell times vary between 50 and 300 seconds depending on heating method. Typical reflow temperatures range from 215 to 250 °C.

Preheating is necessary to dry the paste and evaporate the binding agent. Preheating duration: 45 minutes at 45 °C.

WAVE SOLDERING

Wave soldering techniques can be used for all SO packages if the following conditions are observed:

- A double-wave (a turbulent wave with high upward pressure followed by a smooth laminar wave) soldering technique should be used.
- The longitudinal axis of the package footprint must be parallel to the solder flow.
- The package footprint must incorporate solder thieves at the downstream end.

During placement and before soldering, the package must be fixed with a droplet of adhesive. The adhesive can be applied by screen printing, pin transfer or syringe dispensing. The package can be soldered after the adhesive is cured.

Maximum permissible solder temperature is 260 °C, and maximum duration of package immersion in solder is 10 seconds, if cooled to less than 150 °C within 6 seconds. Typical dwell time is 4 seconds at 250 °C.

A mildly-activated flux will eliminate the need for removal of corrosive residues in most applications.

REPAIRING SOLDERED JOINTS

Fix the component by first soldering two diagonally-opposite end leads. Use only a low voltage soldering iron (less than 24 V) applied to the flat part of the lead. Contact time must be limited to 10 seconds at up to 300 °C. When using a dedicated tool, all other leads can be soldered in one operation within 2 to 5 seconds between 270 and 320 °C.

Listening-in circuit for line-powered telephone sets

TEA1085; TEA1085A

DEFINITIONS

Data sheet status	
Objective specification	This data sheet contains target or goal specifications for product development.
Preliminary specification	This data sheet contains preliminary data; supplementary data may be published later.
Product specification	This data sheet contains final product specifications.
Limiting values	
Limiting values given are in accordance with the Absolute Maximum Rating System (IEC 134). Stress above one or more of the limiting values may cause permanent damage to the device. These are stress ratings only and operation of the device at these or at any other conditions above those given in the Characteristics sections of the specification is not implied. Exposure to limiting values for extended periods may affect device reliability.	
Application information	
Where application information is given, it is advisory and does not form part of the specification.	

LIFE SUPPORT APPLICATIONS

These products are not designed for use in life support appliances, devices, or systems where malfunction of these products can reasonably be expected to result in personal injury. Philips customers using or selling these products for use in such applications do so at their own risk and agree to fully indemnify Philips for any damages resulting from such improper use or sale.

Listening-in circuit for line-powered
telephone sets

TEA1085; TEA1085A

NOTES

Listening-in circuit for line-powered
telephone sets

TEA1085; TEA1085A

NOTES

Listening-in circuit for line-powered
telephone sets

TEA1085; TEA1085A

NOTES

Philips Semiconductors – a worldwide company

Argentina: see South America

Australia: 34 Waterloo Road, NORTH RYDE, NSW 2113, Tel. +61 2 9805 4455, Fax. +61 2 9805 4466

Austria: Computerstr. 6, A-1101 WIEN, P.O. Box 213, Tel. +43 160 1010, Fax. +43 160 101 1210

Belarus: Hotel Minsk Business Center, Bld. 3, r. 1211, Volodarski Str. 6, 220050 MINSK, Tel. +375 172 200 733, Fax. +375 172 200 773

Belgium: see The Netherlands

Brazil: see South America

Bulgaria: Philips Bulgaria Ltd., Energoproject, 15th floor, 51 James Bourchier Blvd., 1407 SOFIA, Tel. +359 2 689 211, Fax. +359 2 689 102

Canada: PHILIPS SEMICONDUCTORS/COMPONENTS, Tel. +1 800 234 7381

China/Hong Kong: 501 Hong Kong Industrial Technology Centre, 72 Tat Chee Avenue, Kowloon Tong, HONG KONG, Tel. +852 2319 7888, Fax. +852 2319 7700

Colombia: see South America

Czech Republic: see Austria

Denmark: Prags Boulevard 80, PB 1919, DK-2300 COPENHAGEN S, Tel. +45 32 88 2636, Fax. +45 31 57 0044

Finland: Sinikalliontie 3, FIN-02630 ESPOO, Tel. +358 9 615800, Fax. +358 9 61580920

France: 51 Rue Carnot, BP317, 92156 SURESNES Cedex, Tel. +33 1 40 99 6161, Fax. +33 1 40 99 6427

Germany: Hammerbrookstraße 69, D-20097 HAMBURG, Tel. +49 40 23 53 60, Fax. +49 40 23 536 300

Greece: No. 15, 25th March Street, GR 17778 TAVROS/ATHENS, Tel. +30 1 4894 339/239, Fax. +30 1 4814 240

Hungary: see Austria

India: Philips INDIA Ltd, Band Box Building, 2nd floor, 254-D, Dr. Annie Besant Road, Worli, MUMBAI 400 025, Tel. +91 22 493 8541, Fax. +91 22 493 0966

Indonesia: PT Philips Development Corporation, Semiconductors Division, Gedung Philips, Jl. Buncit Raya Kav.99-100, JAKARTA 12510, Tel. +62 21 794 0040 ext. 2501, Fax. +62 21 794 0080

Ireland: Newstead, Clonskeagh, DUBLIN 14, Tel. +353 1 7640 000, Fax. +353 1 7640 200

Israel: RAPAC Electronics, 7 Kehilat Saloniki St, PO Box 18053, TEL AVIV 61180, Tel. +972 3 645 0444, Fax. +972 3 649 1007

Italy: PHILIPS SEMICONDUCTORS, Piazza IV Novembre 3, 20124 MILANO, Tel. +39 2 6752 2531, Fax. +39 2 6752 2557

Japan: Philips Bldg 13-37, Kohnan 2-chome, Minato-ku, TOKYO 108-8507, Tel. +81 3 3740 5130, Fax. +81 3 3740 5077

Korea: Philips House, 260-199 Itaewon-dong, Yongsan-ku, SEOUL, Tel. +82 2 709 1412, Fax. +82 2 709 1415

Malaysia: No. 76 Jalan Universiti, 46200 PETALING JAYA, SELANGOR, Tel. +60 3 750 5214, Fax. +60 3 757 4880

Mexico: 5900 Gateway East, Suite 200, EL PASO, TEXAS 79905, Tel. +9-5 800 234 7381

Middle East: see Italy

Netherlands: Postbus 90050, 5600 PB EINDHOVEN, Bldg. VB, Tel. +31 40 27 82785, Fax. +31 40 27 88399

New Zealand: 2 Wagener Place, C.P.O. Box 1041, AUCKLAND, Tel. +64 9 849 4160, Fax. +64 9 849 7811

Norway: Box 1, Manglerud 0612, OSLO, Tel. +47 22 74 8000, Fax. +47 22 74 8341

Pakistan: see Singapore

Philippines: Philips Semiconductors Philippines Inc., 106 Valero St. Salcedo Village, P.O. Box 2108 MCC, MAKATI, Metro MANILA, Tel. +63 2 816 6380, Fax. +63 2 817 3474

Poland: Ul. Lukiska 10, PL 04-123 WARSZAWA, Tel. +48 22 612 2831, Fax. +48 22 612 2327

Portugal: see Spain

Romania: see Italy

Russia: Philips Russia, Ul. Usatcheva 35A, 119048 MOSCOW, Tel. +7 095 755 6918, Fax. +7 095 755 6919

Singapore: Lorong 1, Toa Payoh, SINGAPORE 319762, Tel. +65 350 2538, Fax. +65 251 6500

Slovakia: see Austria

Slovenia: see Italy

South Africa: S.A. PHILIPS Pty Ltd., 195-215 Main Road Martindale, 2092 JOHANNESBURG, P.O. Box 7430 Johannesburg 2000, Tel. +27 11 470 5911, Fax. +27 11 470 5494

South America: Al. Vicente Pinzon, 173, 6th floor, 04547-130 SÃO PAULO, SP, Brazil, Tel. +55 11 821 2333, Fax. +55 11 821 2382

Spain: Balmes 22, 08007 BARCELONA, Tel. +34 93 301 6312, Fax. +34 93 301 4107

Sweden: Kottbygatan 7, Akalla, S-16485 STOCKHOLM, Tel. +46 8 5985 2000, Fax. +46 8 5985 2745

Switzerland: Allmendstrasse 140, CH-8027 ZÜRICH, Tel. +41 1 488 2741 Fax. +41 1 488 3263

Taiwan: Philips Semiconductors, 6F, No. 96, Chien Kuo N. Rd., Sec. 1, TAIPEI, Taiwan Tel. +886 2 2134 2865, Fax. +886 2 2134 2874

Thailand: PHILIPS ELECTRONICS (THAILAND) Ltd., 209/2 Sanpavuth-Bangna Road Prakanong, BANGKOK 10260, Tel. +66 2 745 4090, Fax. +66 2 398 0793

Turkey: Talatpasa Cad. No. 5, 80640 GÜLTEPE/ISTANBUL, Tel. +90 212 279 2770, Fax. +90 212 282 6707

Ukraine: PHILIPS UKRAINE, 4 Patrice Lumumba str., Building B, Floor 7, 252042 KIEV, Tel. +380 44 264 2776, Fax. +380 44 268 0461

United Kingdom: Philips Semiconductors Ltd., 276 Bath Road, Hayes, MIDDLESEX UB3 5BX, Tel. +44 181 730 5000, Fax. +44 181 754 8421

United States: 811 East Arques Avenue, SUNNYVALE, CA 94088-3409, Tel. +1 800 234 7381

Uruguay: see South America

Vietnam: see Singapore

Yugoslavia: PHILIPS, Trg N. Pasica 5/v, 11000 BEOGRAD, Tel. +381 11 625 344, Fax. +381 11 635 777

For all other countries apply to: Philips Semiconductors, International Marketing & Sales Communications, Building BE-p, P.O. Box 218, 5600 MD EINDHOVEN, The Netherlands, Fax. +31 40 27 24825

Internet: <http://www.semiconductors.philips.com>

© Philips Electronics N.V. 1998

SCA60

All rights are reserved. Reproduction in whole or in part is prohibited without the prior written consent of the copyright owner.

The information presented in this document does not form part of any quotation or contract, is believed to be accurate and reliable and may be changed without notice. No liability will be accepted by the publisher for any consequence of its use. Publication thereof does not convey nor imply any license under patent- or other industrial or intellectual property rights.

Printed in The Netherlands

415102/00/02/pp32

Date of release: March 1992

Document order number: 9397 750 nnnn

Let's make things better.

**Philips
Semiconductors**



PHILIPS